

Sungrow SBR HV Battery Installation Quick Guide

Sungrow has released high-voltage battery - SBR series (9.6kWh-25.6kWh).

To ensure smooth installation and avoid difficulty on site, please read below checklists and make sure you are ready before installing SBR HV batteries. If you have any questions, please free to contact Sungrow team (**1800 SUNGROW (786 476) service@sungrowpower.com.au**) before asking help onsite to reduce urgency.

Check Items	Requirements	Confirm?
Manuals	<ul style="list-style-type: none"> Read Sungrow product manuals before the installation. Follow the manuals and make sure the operating environment is suitable for inverter and batteries. 	
Application	<ul style="list-style-type: none"> Check with the distributors or Sungrow team for technical advice of off-grid application or any other complex scenarios (click here) Battery parallel application will not be available by Q3 2021 and the exact date is to be informed by Sungrow. 	
Remote Support	<ul style="list-style-type: none"> If it is the first installation of HV battery system, Sungrow advises installers to book the time for remote support. Our team will deliver support when you are on site to avoid any difficult to reach us. 	
Remote Area	<ul style="list-style-type: none"> Installers need to be cautious for the remote installation. Installer must take responsibility of the after-sales service. Sungrow technical support will be limited if the battery systems are installed remote areas with no local electrician for service (click here for remote area policy) 	
Internet	<ul style="list-style-type: none"> The system needs to operate under internet available environment. otherwise, Sungrow's support will be limited and less efficient. If there is no Internet connection, please contact the distributors to purchase 4G dongle for internet access. 	
Cables/Tools	Prepare tools and cables prior to the installation. <ul style="list-style-type: none"> DC power cables \geq 6mm² (DC_{max}=30A) with the insulation compliant to Australia Standard. Tools to make Ethernet cable with RJ45 terminal if the installation requires COM cable longer than 3 meters. The latest version of iSolarCloud is necessary to be installed on mobile or tablet prior to the commissioning and firmware upgrading. 	
Comm. Cable	<ul style="list-style-type: none"> Long cables (>10 m) could cause communication failure between the inverter and battery. It's installer's responsibility to conduct communication cable continuity test before contacting Sungrow team 	
Tips	<ul style="list-style-type: none"> Follow the installation tips & commissioning tips from the 2nd page of this document 	

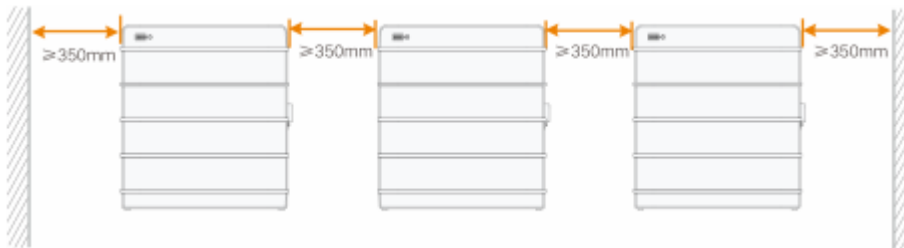
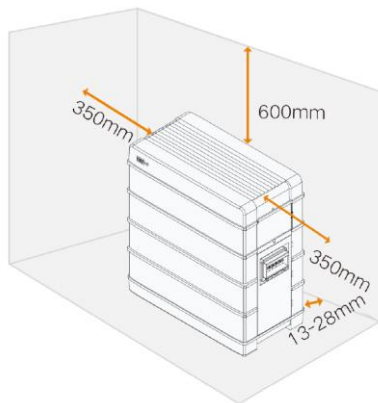
Sungrow SBR HV Battery Installation Tips

Installation requirements:

Sungrow recommends that the shaded side of the building would be better to prevent the battery from exposure to the sun, rain, and snow. **Battery must not be mounted in direct sunlight as this affects the internal heat, and therefore efficiency of the battery and warranty.**

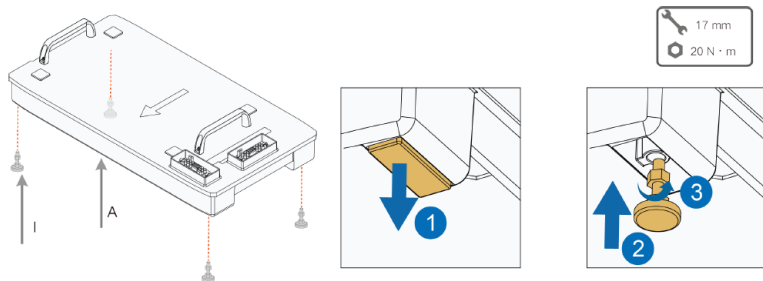


Minimum clearances:

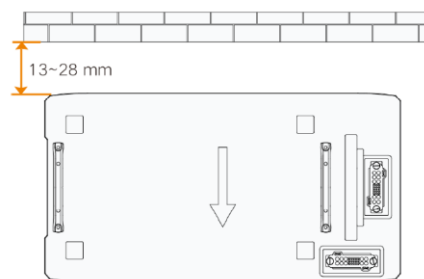


Installation process

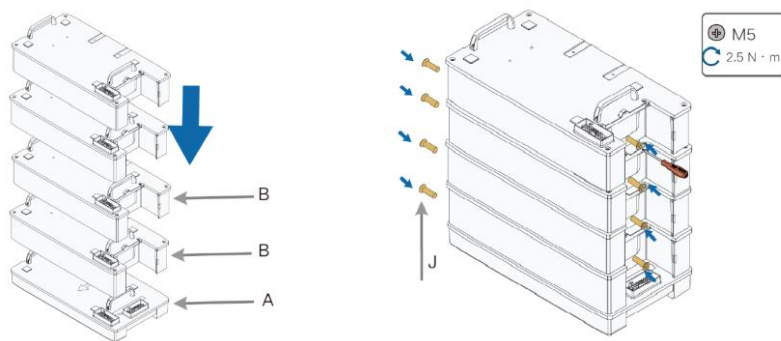
1. Screw feet in (Optional and to be available in Q4 2021).



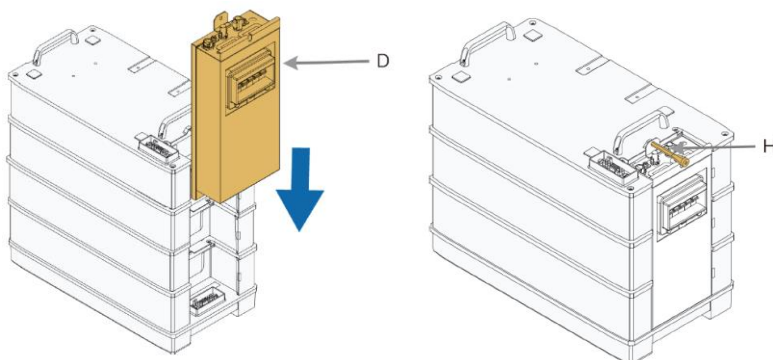
2. Place the base at the acceptable position in right way (arrows outward).



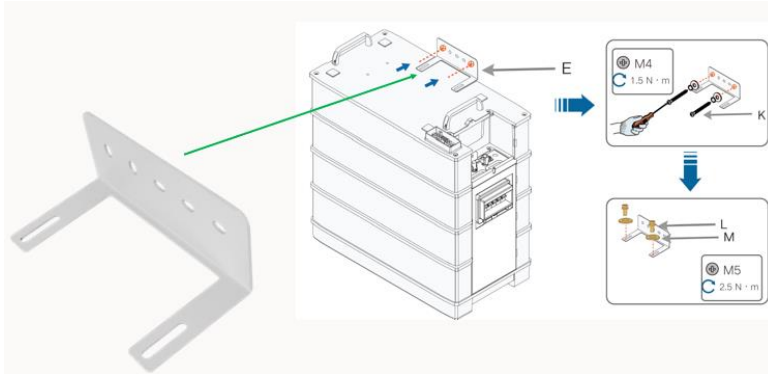
3. Stack up battery modules.



4. Insert BMU (make sure the DC MCB is off) and screw.



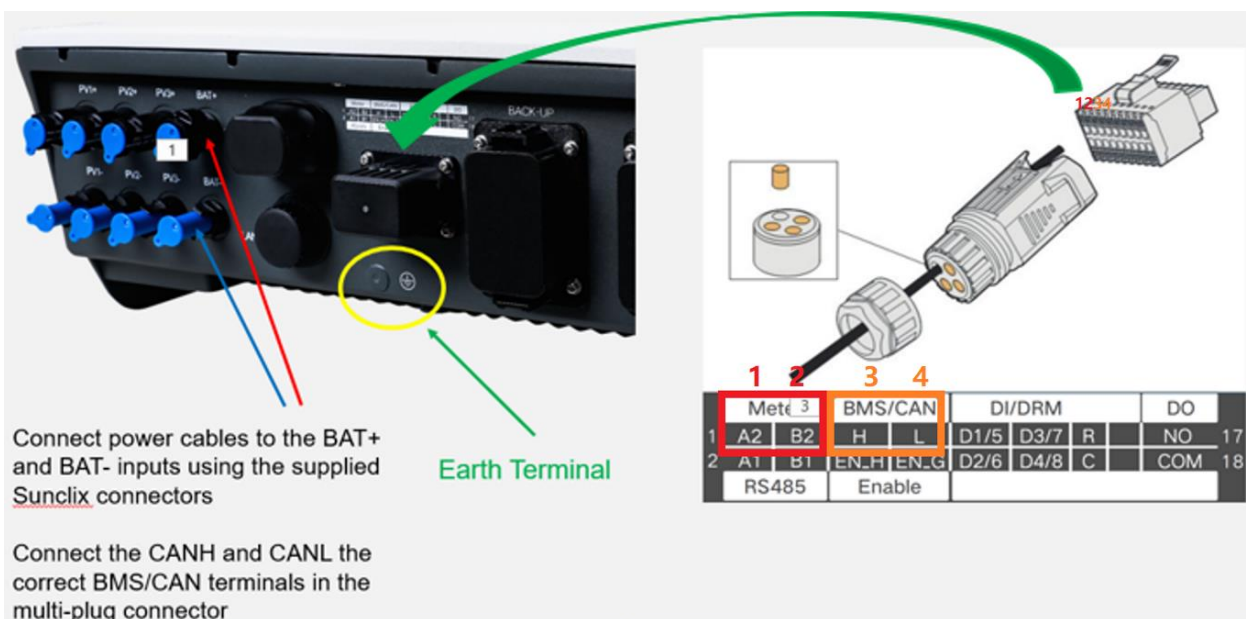
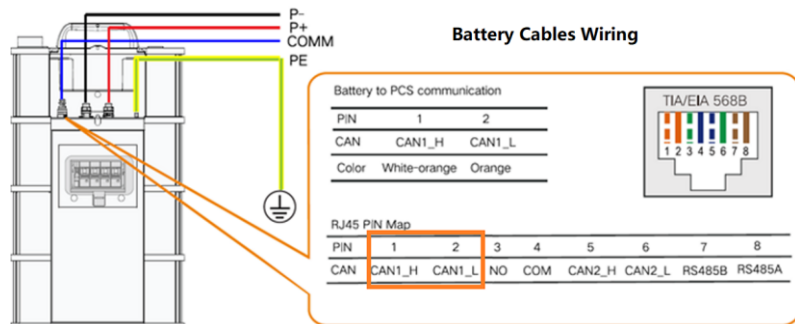
5. Apply L-bracket to fix the battery to the wall.



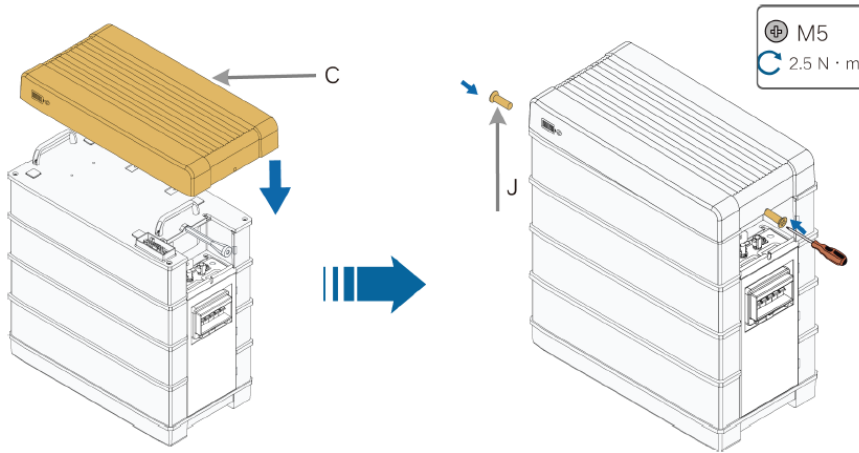
6. Cables plug-in and wiring

Note: COM cable connection on inverter side:

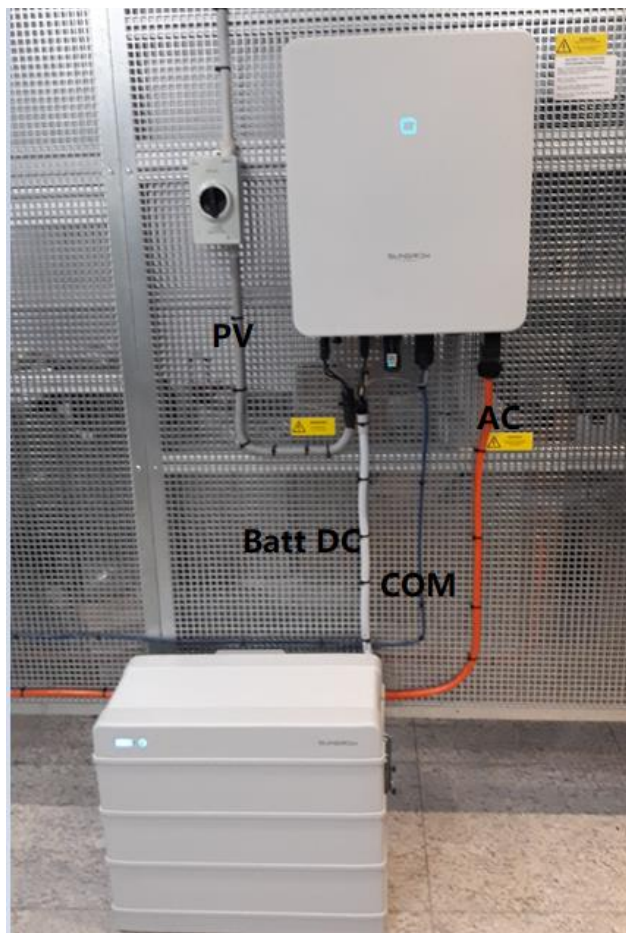
- Red for the smart meter
- Orange for the battery




7. Put on the lid and fix it.



8. A completed installation with a battery isolator is shown below.



Sungrow SBR HV Battery Commissioning Tips

Procedures	Details
1. Create the plant on iSolarCloud	<ul style="list-style-type: none"> Complete the WiFi configuration and put the system online (click here). Complete the system settings and grid settings. If the system keep 'under commissioning' for more than 15min, please contact Sungrow service team.
2. Battery Inspection	<ul style="list-style-type: none"> Make sure the battery is fixed to the wall and not shakeable. Make sure 4 cables (mentioned above) are correctly connected. Turn on the battery's circuit breaker to check if the indicator is on.
3. Communication check via local access	<p>Using iSolarcloud to get into local access with the following account and password and then see the system diagram (click here).</p> <p>Account: admin Password: pw8888</p>  <ul style="list-style-type: none"> Wait for the compulsory firmware upgrade if there is. Tap the battery icon to see if the key parameters are observable – e.g. voltage, SOC, SOH and etc.
4. Battery Settings via local access	<ul style="list-style-type: none"> Go to 'More'- 'Setting' – 'System Parameters' to check the system information. Go to 'More'- 'Setting' – 'Battery Parameters' to set SOC upper and lower limit if needed (5%-100%by default). Go to 'More'- 'Setting' – 'Energy Management Parameters' to set charge/ discharge time if needed. Go to 'More'- 'Setting' – 'Operation Parameters' - 'Off-grid Parameters' to turn on 'Backup Mode' if needed.
5. Quick test (optional)	<ul style="list-style-type: none"> Usually if the power flow is visible in the local access, the system should operate normally. If no power flow in/out from battery side at the moment, optional you may follow the Step 3 to set the charge time to see if the battery can execute the command.
6. Other issue	<ul style="list-style-type: none"> If there is the communication problem, please firstly check the COM connection between battery and inverter. Regarding to the issue at inverter side, please firstly do the firmware upgrade (locally) or contact Sungrow service team with the online system.

Contact Sungrow team (1800 SUNGROW (786 476) service@sungrowpower.com.au) if needed.